

Double-handle Controller

D8



The Double-handle Controller D8 is a robust switching device for electro hydraulic and the hoisting applications. The modular design enables the switching device to be used universally.

Technical data

Mechanical life D8	8 million operating cycles
Operation temperature	-40°C to +85°C
Degree of protection	up to IP54 front



1

	D8	S5	Q / Q	-2ZP	+3 RP	-B	-A05 P184	+A050 P184	-E9012	-S...	-X
Basic unit											
D8											
Control-handle extended											
S5 -20 mm											
Grip- control-handle left											
Q T-grip											
Grip- control-handle right											
Q T-grip											
Axis 1 (direction 1-2)											
2 2 contacts (1,5A 24 V DC13)											
Z Spring return											
P Potentiometer											
Axis 2 (direction 3-4)											
3 3 contacts (1,5A 24 V DC13)											
R Friction brake											
P Potentiometer											
Cover housing											
B Cover housing											
Description axis 1 (direction 1-2)											
A05 Arrangement MSP21											
P184 Potentiometer T301 2 x 5 kOhm											
Description axis 2 (direction 3-4)											
A050 Arrangement MSP21-0											
P184 Potentiometer T301 2 x 5 kOhm											
Interface											
E9012 Potentiometer output for proportional valve PVG32											
Plug connector											
S... Standard plug connector (see page 149)											
Special model											
X Special / customer specified											

Technical details may vary based on configuration or application! Technical data subject to change without notice!

Double-handle Controller

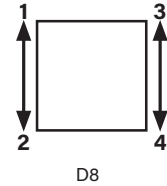
D8



1

	D8	S5	Q / Q	-2 Z P	+3 R P	-B	-A05	P184	+A050	P184	-E9012	-X
Basic unit												
D8												
Control-handle extended												
Standard 160 mm*												
S5 -20 mm												
S8 +20 mm												
<i>*Only in combination with knob!</i>												
Grip- control-handle left												
Knob												
M Mechanical zero interlock												
T Dead man												
H Signal button												
D Push button												
Q T-grip												
QD T-grip with push button side												
B10... Palm grip B10... (see page 213)												
Grip- control-handle right												
Knob												
M Mechanical zero interlock												
T Dead man												
H Signal button												
D Push button												
Q T-grip												
QD T-grip with push button side												
B10... Ball handle B10... (see page 213)												

Identification of the installation variants with switching directions:



	D8	S5	Q / Q	-2 Z P	+3 R P	-B	-A05	P184	+A050	P184	-E9012	-X
Axis 1: direction 1-2 left												
1 1 contact												
2 2 contacts												
3 3 contacts												
Standard contact - arrangement see page 151												
e.g.												
A98												
A05												
A050												
A99 contact - arrangement for customer request												
Z Spring return												
R Friction brake												
(P) Mounting options for potentiometer and encoder (Gessmann-types)												
P Potentiometer												
	P181	T301 2 x 0,5 kOhm	I max. 1 mA									
	P182	T301 2 x 1 kOhm	I max. 1 mA									
	P183	T301 2 x 2 kOhm	I max. 1 mA									
	P184	T301 2 x 5 kOhm	I max. 1 mA									
	P185	T301 2 x 10 kOhm	I max. 1 mA									
<i>More potentiometers on request!</i>												
H Hall-potentiometer		E14811	0,5...2,5...4,5 V / 4,5...2,5...0,5 V									

Technical details may vary based on configuration or application! Technical data subject to change without notice!

Double-handle Controller

D8



Combination possibilities with our handles



1

		D8	S5	Q / Q	-2 Z P	+3 R P	-B	A05 P184	+A050	P184	-E9012	-X
Axis 2: direction 3-4												
1	1 contacts	Standard contact - arrangement see page 151										
2	2 contacts	e.g.										
3	3 contacts	A98										
		A05										
		A050										
		A99 contact - arrangement for customer request										
Z	Spring return											
R	Friction brake											
(P)	Mounting options for potentiometer and encoder (Gessmann-types)											
P	Potentiometer	P181	T301 2 x 0,5 kOhm									I max. 1 mA
		P182	T301 2 x 1 kOhm									I max. 1 mA
		P183	T301 2 x 2 kOhm									I max. 1 mA
		P184	T301 2 x 5 kOhm									I max. 1 mA
		P185	T301 2 x 10 kOhm									I max. 1 mA
		More potentiometers on request!										
	Hall-Potentiometer	E14811	0,5...2,5...4,5 V / 4,5...2,5...0,5 V									

		D8	S5	Q / Q	-2 Z P	+3 R P	-B	A05 P184	+A050 P184	-E9012	-X	
Cover housing												
B	Cover housing											
Schnittstelle												
E901	1	Potentiometer output for proportional valve PVG32 0,25...0,5...0,75 Us									1 axis	
	2										2 axis	
Special model												
X	Special / customer specified											

Double-handle Controller

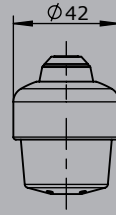
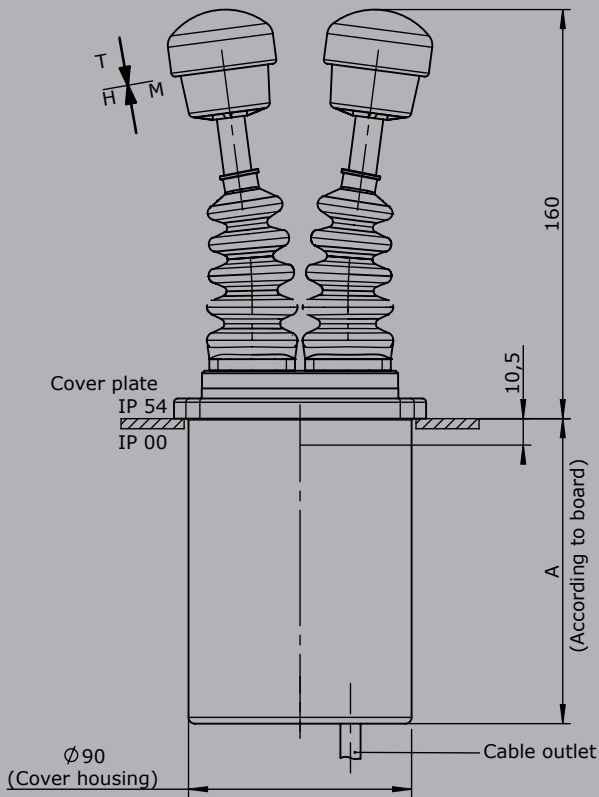
D8



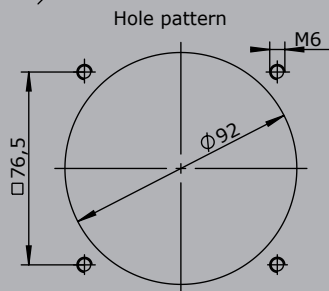
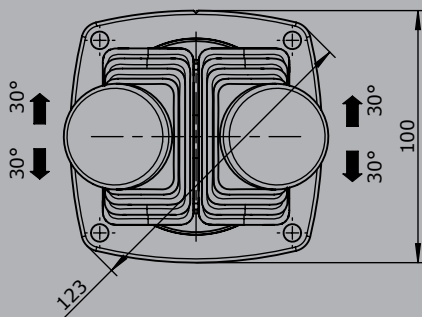
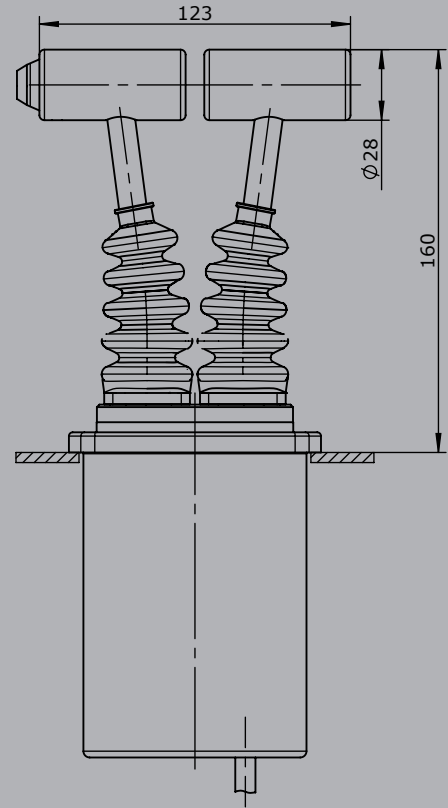
T = Dead man's button
 H = Signal button
 M = Latch for mechanical zero interlock

Knob solid
 D= Push button

T - grip
 D= Push button



To build in:
 Direction 1-2
 Direction 3-4



Technical details may vary based on configuration or application! Technical data subject to change without notice!